

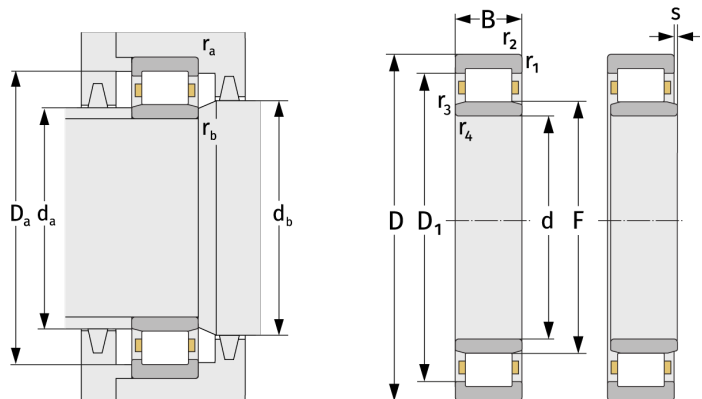
# NU2017E.M3

Cylindrical Roller Bearings (single row, with cage)



## Details:

Main dimensions			
d [mm]	85	$D_1$ [mm]	$\approx 115.2$
D [mm]	130	$r_{1,2}$ [mm]	1.1
B [mm]	27	$r_{3,4}$ [mm]	1
Weight [kg]	$\approx 1.31$	s [mm]	2
F [mm]	96		



Mating dimensions		Calculation data	
$d_{a, \min}$ [mm]	91	C [kN]	130
$d_{a, \max}$ [mm]	94	$C_0$ [kN]	184
$d_{b, \min}$ [mm]	98	$C_u$ [kN]	24.4
$D_{a, \max}$ [mm]	124	$n_{th}$ [ $\text{min}^{-1}$ ]	4338
$r_{a, \max}$ [mm]	1	$n_g$ [ $\text{min}^{-1}$ ]	6800
$r_{b, \max}$ [mm]	1		