

NU2028E.M3

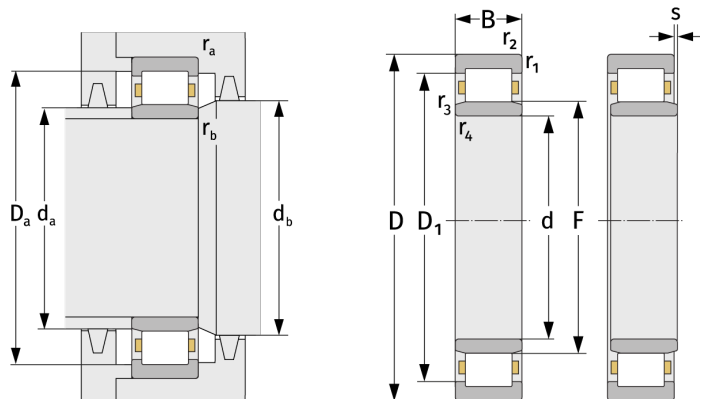
Cylindrical Roller Bearings (single row, with cage)



Details:

Main dimensions

d [mm]	140	D_1 [mm]	≈ 187.4
D [mm]	210	$r_{1,2}$ [mm]	2
B [mm]	42	$r_{3,4}$ [mm]	1.1
Weight [kg]	≈ 5.16	s [mm]	2.5
F [mm]	157		



Mating dimensions

$d_{a, \min}$ [mm]	148.8
$d_{a, \max}$ [mm]	155
$d_{b, \min}$ [mm]	159
$D_{a, \max}$ [mm]	201.2
$r_{a, \max}$ [mm]	2
$r_{b, \max}$ [mm]	1

Calculation data

C [kN]	319
C_0 [kN]	496
C_u [kN]	57.5
n_{th} [min^{-1}]	2890
n_g [min^{-1}]	4100