

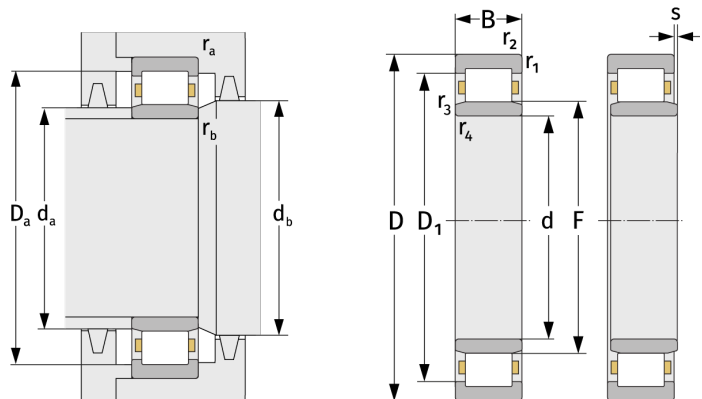
NU214E.M3

Cylindrical Roller Bearings (single row, with cage)



Details:

Main dimensions			
d [mm]	70	D ₁ [mm]	≈ 107.5
D [mm]	125	r _{1,2} [mm]	1.5
B [mm]	24	r _{3,4} [mm]	1.5
Weight [kg]	≈ 1.28	s [mm]	2
F [mm]	83.5		



Mating dimensions		Calculation data	
d _{a,min} [mm]	79	C [kN]	122
d _{a,max} [mm]	82	C ₀ [kN]	141
d _{b,min} [mm]	86	C _u [kN]	18.5
D _{a,max} [mm]	116	n _{th} [min ⁻¹]	4696
r _{a,max} [mm]	1.5	n _g [min ⁻¹]	7400
r _{b,max} [mm]	1.5		