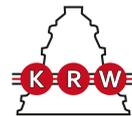


NU215E.M3

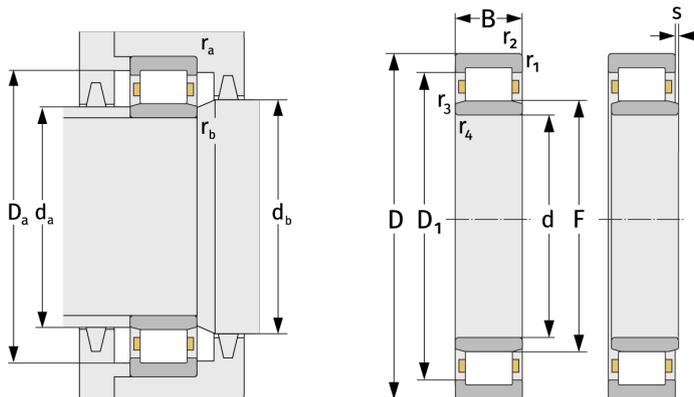
Cylindrical Roller Bearings (single row, with cage)



Details:

Main dimensions

d [mm]	75	D_1 [mm]	≈ 112.5
D [mm]	130	$r_{1,2}$ [mm]	1.5
B [mm]	25	$r_{3,4}$ [mm]	1.5
Weight [kg]	≈ 1.42	s [mm]	2
F [mm]	88.5		



Mating dimensions

$d_{a, \min}$ [mm]	84
$d_{a, \max}$ [mm]	87
$d_{b, \min}$ [mm]	90
$D_{a, \max}$ [mm]	121
$r_{a, \max}$ [mm]	1.5
$r_{b, \max}$ [mm]	1.5

Calculation data

C [kN]	133
C_0 [kN]	161
C_u [kN]	21.6
n_{th} [min^{-1}]	4454
n_g [min^{-1}]	7100