

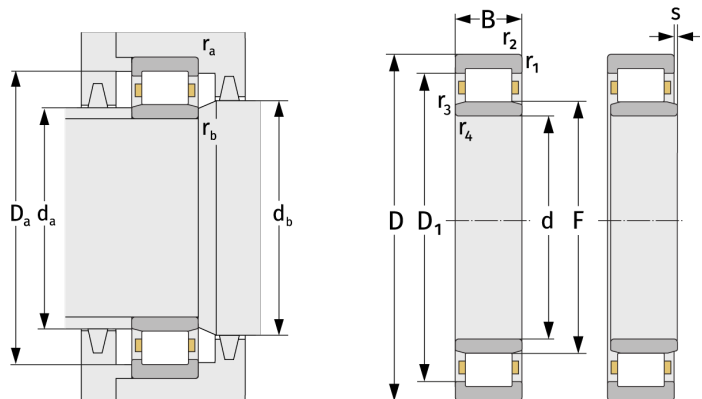
# NU221E.M3

Cylindrical Roller Bearings (single row, with cage)



## Details:

Main dimensions			
d [mm]	105	D <sub>1</sub> [mm]	≈ 162.3
D [mm]	190	r <sub>1,2</sub> [mm]	2.1
B [mm]	36	r <sub>3,4</sub> [mm]	2.1
Weight [kg]	≈ 4.53	s [mm]	2.2
F [mm]	125.5		



Mating dimensions		Calculation data	
d <sub>a,min</sub> [mm]	117	C [kN]	266
d <sub>a,max</sub> [mm]	123	C <sub>0</sub> [kN]	326
d <sub>b,min</sub> [mm]	128	C <sub>u</sub> [kN]	39.6
D <sub>a,max</sub> [mm]	178	n <sub>th</sub> [min <sup>-1</sup> ]	3431
r <sub>a,max</sub> [mm]	2.1	n <sub>g</sub> [min <sup>-1</sup> ]	4900
r <sub>b,max</sub> [mm]	2.1		