

# NU2280E.M3

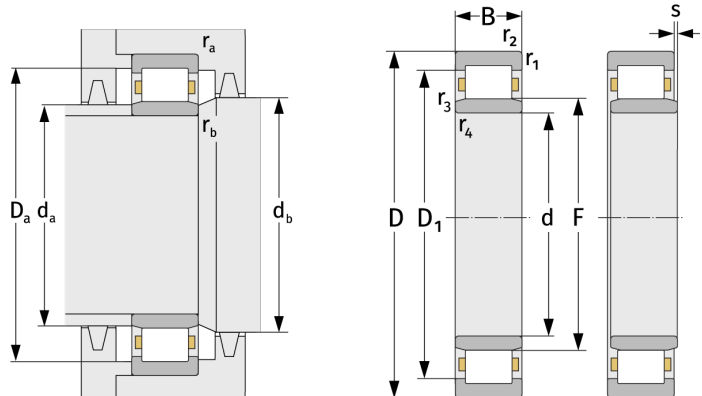
Cylindrical Roller Bearings (single row, with cage)



## Details:

### Main dimensions

|             |       |                |       |
|-------------|-------|----------------|-------|
| d [mm]      | 400   | $D_1$ [mm]     | ≈ 623 |
| D [mm]      | 720   | $r_{1,2}$ [mm] | 6     |
| B [mm]      | 185   | $r_{3,4}$ [mm] | 6     |
| Weight [kg] | ≈ 336 | s [mm]         | 15.4  |
| F [mm]      | 471   |                |       |



### Mating dimensions

|                    |     |
|--------------------|-----|
| $d_{a, \min}$ [mm] | 426 |
| $d_{a, \max}$ [mm] | 467 |
| $d_{b, \min}$ [mm] | 475 |
| $D_{a, \max}$ [mm] | 694 |
| $r_{a, \max}$ [mm] | 5   |
| $r_{b, \max}$ [mm] | 5   |

### Calculation data

|                                |      |
|--------------------------------|------|
| C [kN]                         | 4590 |
| $C_0$ [kN]                     | 7250 |
| $C_u$ [kN]                     | 600  |
| $n_{th}$ [ $\text{min}^{-1}$ ] | 430  |
| $n_g$ [ $\text{min}^{-1}$ ]    | 1200 |