

# NU228E.M3

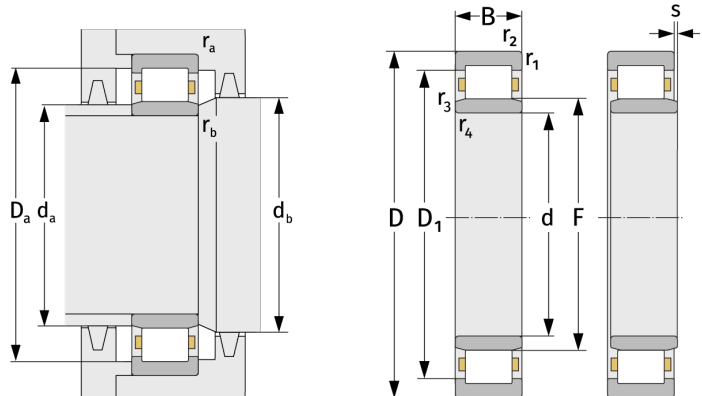
Cylindrical Roller Bearings (single row, with cage)



## Details:

### Main dimensions

d [mm]	140	$D_1$ [mm]	$\approx 213.8$
D [mm]	250	$r_{1,2}$ [mm]	3
B [mm]	42	$r_{3,4}$ [mm]	3
Weight [kg]	$\approx 9.17$	s [mm]	3
F [mm]	169		



### Mating dimensions

$d_{a, \min}$ [mm]	154
$d_{a, \max}$ [mm]	166
$d_{b, \min}$ [mm]	171
$D_{a, \max}$ [mm]	236
$r_{a, \max}$ [mm]	2.5
$r_{b, \max}$ [mm]	2.5

### Calculation data

C [kN]	399
$C_0$ [kN]	525
$C_u$ [kN]	58.6
$n_{th}$ [ $\text{min}^{-1}$ ]	2598
$n_g$ [ $\text{min}^{-1}$ ]	3600