

# NU2314E.M3

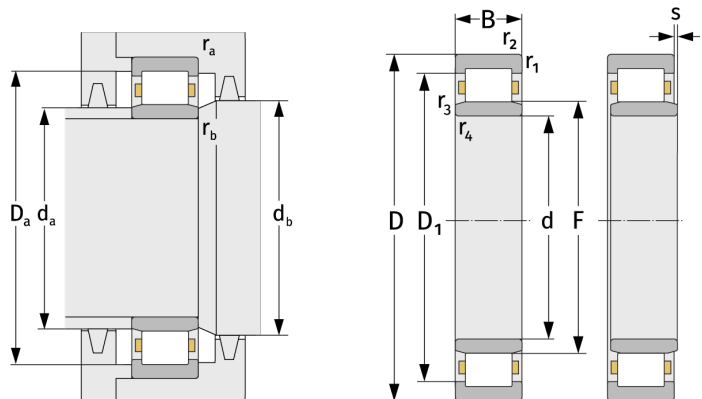
Cylindrical Roller Bearings (single row, with cage)



## Details:

### Main dimensions

d [mm]	70	$D_1$ [mm]	$\approx 124.2$
D [mm]	150	$r_{1,2}$ [mm]	2.1
B [mm]	51	$r_{3,4}$ [mm]	2.1
Weight [kg]	$\approx 4$	s [mm]	5.9
F [mm]	89		



### Mating dimensions

$d_{a, \min}$ [mm]	82
$d_{a, \max}$ [mm]	87
$d_{b, \min}$ [mm]	92
$D_{a, \max}$ [mm]	138
$r_{a, \max}$ [mm]	2.1
$r_{b, \max}$ [mm]	2.1

### Calculation data

C [kN]	278
$C_0$ [kN]	327
$C_u$ [kN]	43.2
$n_{th}$ [ $\text{min}^{-1}$ ]	3838
$n_g$ [ $\text{min}^{-1}$ ]	6600