

NU240E.M3

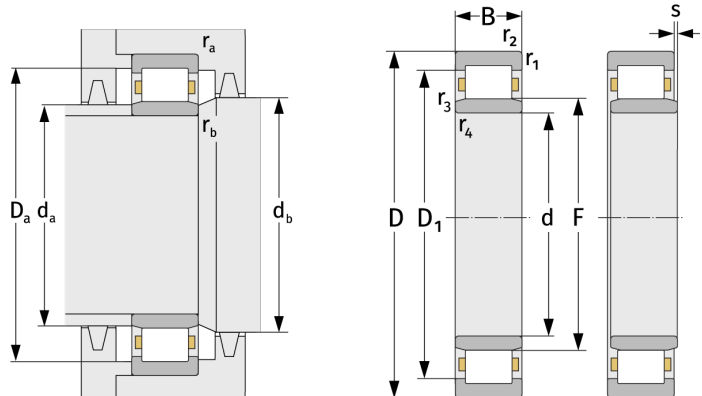
Cylindrical Roller Bearings (single row, with cage)



Details:

Main dimensions

| | | | |
|-------------|--------|----------------|-------|
| d [mm] | 200 | D_1 [mm] | ≈ 307 |
| D [mm] | 360 | $r_{1,2}$ [mm] | 4 |
| B [mm] | 58 | $r_{3,4}$ [mm] | 4 |
| Weight [kg] | ≈ 26.8 | s [mm] | 4 |
| F [mm] | 243 | | |



Mating dimensions

| | |
|--------------------|-----|
| $d_{a, \min}$ [mm] | 217 |
| $d_{a, \max}$ [mm] | 240 |
| $d_{b, \min}$ [mm] | 247 |
| $D_{a, \max}$ [mm] | 343 |
| $r_{a, \max}$ [mm] | 3 |
| $r_{b, \max}$ [mm] | 3 |

Calculation data

| | |
|--------------------------------|------|
| C [kN] | 780 |
| C_0 [kN] | 1080 |
| C_u [kN] | 109 |
| n_{th} [min^{-1}] | 1594 |
| n_g [min^{-1}] | 2500 |