

# NU244E.M3

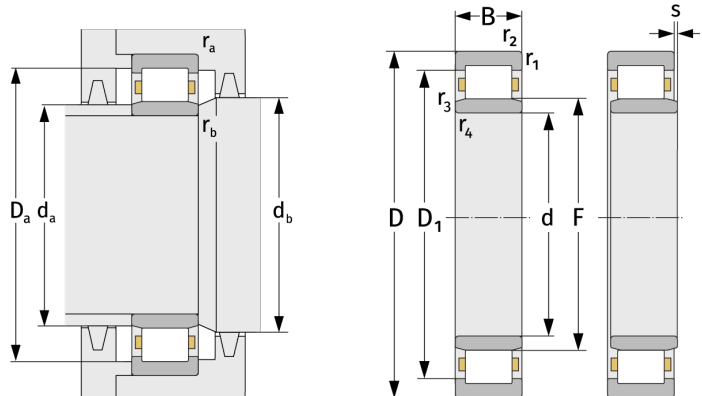
Cylindrical Roller Bearings (single row, with cage)



## Details:

### Main dimensions

d [mm]	220	$D_1$ [mm]	≈ 340
D [mm]	400	$r_{1,2}$ [mm]	4
B [mm]	65	$r_{3,4}$ [mm]	4
Weight [kg]	≈ 37.5	s [mm]	4.4
F [mm]	268		



### Mating dimensions

$d_{a, \min}$ [mm]	237
$d_{a, \max}$ [mm]	265
$d_{b, \min}$ [mm]	271
$D_{a, \max}$ [mm]	383
$r_{a, \max}$ [mm]	3
$r_{b, \max}$ [mm]	3

### Calculation data

C [kN]	965
$C_0$ [kN]	1360
$C_u$ [kN]	133
$n_{th}$ [ $\text{min}^{-1}$ ]	1386
$n_g$ [ $\text{min}^{-1}$ ]	2200