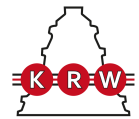


NU264E.M3

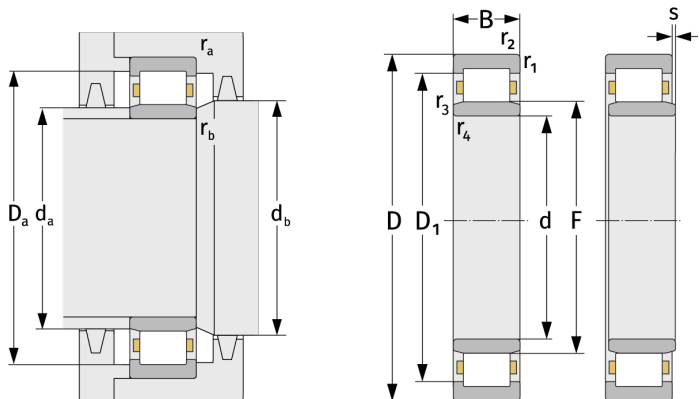
Cylindrical Roller Bearings (single row, with cage)



Details:

Main dimensions

d [mm]	320	D_1 [mm]	≈ 491.4
D [mm]	580	$r_{1,2}$ [mm]	5
B [mm]	92	$r_{3,4}$ [mm]	5
Weight [kg]	≈ 112	s [mm]	6.5
F [mm]	389		



Mating dimensions

$d_{a, \min}$ [mm]	340
$d_{a, \max}$ [mm]	385
$d_{b, \min}$ [mm]	394
$D_{a, \max}$ [mm]	560
$r_{a, \max}$ [mm]	4
$r_{b, \max}$ [mm]	4

Calculation data

C [kN]	1870
C_0 [kN]	2780
C_u [kN]	245
n_{th} [min^{-1}]	834
n_g [min^{-1}]	1500