

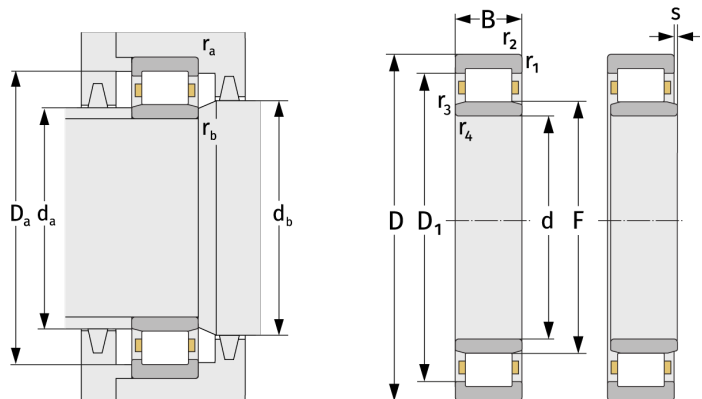
NU2828M3

Cylindrical Roller Bearings (single row, with cage)



Details:

Main dimensions			
d [mm]	140	D_1 [mm]	≈ 163.4
D [mm]	175	$r_{1,2}$ [mm]	1.1
B [mm]	22	$r_{3,4}$ [mm]	0.6
Weight [kg]	≈ 1.18	s [mm]	2.8
F [mm]	149		



Mating dimensions		Calculation data	
$d_{a, \min}$ [mm]	146	C [kN]	102
$d_{a, \max}$ [mm]	147	C_0 [kN]	189
$d_{b, \min}$ [mm]	152	C_u [kN]	22.5
$D_{a, \max}$ [mm]	169	n_{th} [min^{-1}]	2690
$r_{a, \max}$ [mm]	1	n_g [min^{-1}]	4600
$r_{b, \max}$ [mm]	0.6		