

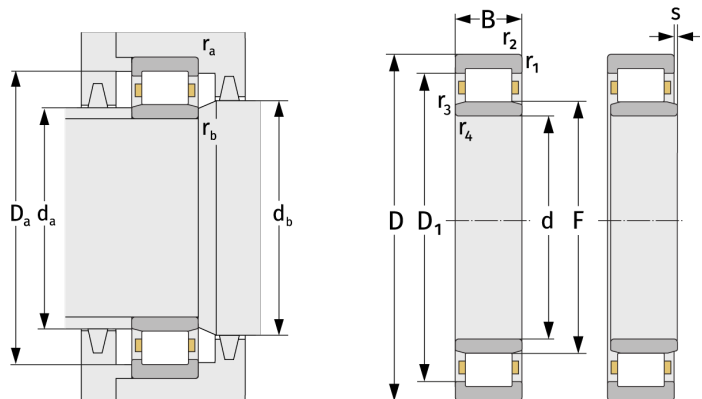
# NU2915E.M3

Cylindrical Roller Bearings (single row, with cage)



## Details:

Main dimensions			
d [mm]	75	D <sub>1</sub> [mm]	≈ 95.3
D [mm]	105	r <sub>1,2</sub> [mm]	1
B [mm]	19	r <sub>3,4</sub> [mm]	0.6
Weight [kg]	≈ 0.504	s [mm]	1.4
F [mm]	82.5		



Mating dimensions		Calculation data	
d <sub>a,min</sub> [mm]	79.6	C [kN]	67.7
d <sub>a,max</sub> [mm]	81	C <sub>0</sub> [kN]	101
d <sub>b,min</sub> [mm]	85	C <sub>u</sub> [kN]	13.2
D <sub>a,max</sub> [mm]	100.4	n <sub>th</sub> [min <sup>-1</sup> ]	4690
r <sub>a,max</sub> [mm]	1	n <sub>g</sub> [min <sup>-1</sup> ]	8100
r <sub>b,max</sub> [mm]	0.6		