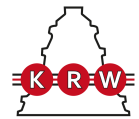


NU2952E.M3

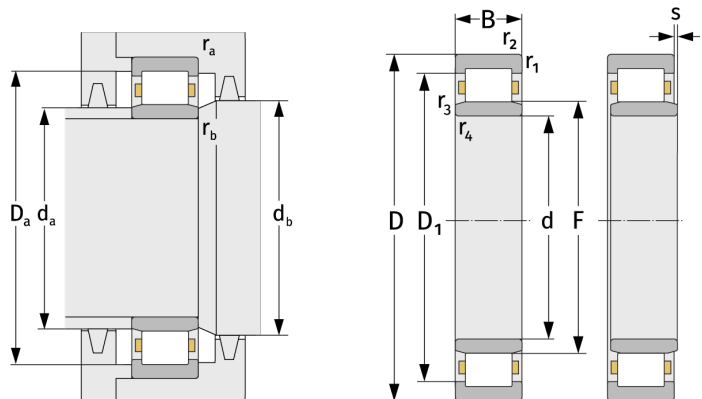
Cylindrical Roller Bearings (single row, with cage)



Details:

Main dimensions

d [mm]	260	D_1 [mm]	≈ 327.6
D [mm]	360	$r_{1,2}$ [mm]	2.1
B [mm]	60	$r_{3,4}$ [mm]	1.5
Weight [kg]	≈ 18	s [mm]	3.9
F [mm]	286		



Mating dimensions

$d_{a, \min}$ [mm]	270.2
$d_{a, \max}$ [mm]	283
$d_{b, \min}$ [mm]	289
$D_{a, \max}$ [mm]	349.8
$r_{a, \max}$ [mm]	2.1
$r_{b, \max}$ [mm]	1.5

Calculation data

C [kN]	690
C_0 [kN]	1290
C_u [kN]	127
n_{th} [min^{-1}]	1361
n_g [min^{-1}]	2200