

NU3018M3

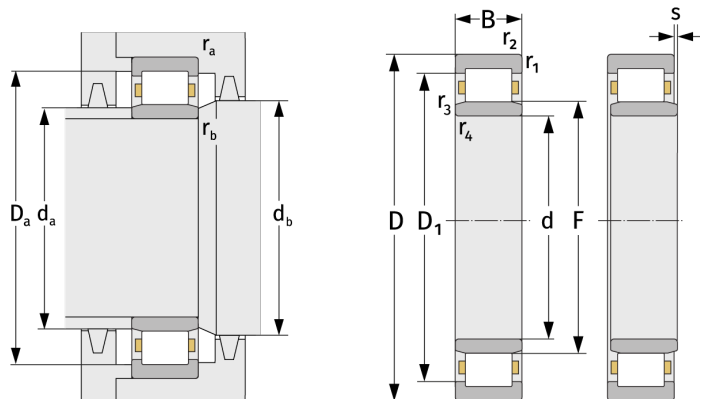
Cylindrical Roller Bearings (single row, with cage)



Details:

Main dimensions

d [mm]	90	D_1 [mm]	≈ 122.2
D [mm]	140	$r_{1,2}$ [mm]	1.5
B [mm]	37	$r_{3,4}$ [mm]	1.1
Weight [kg]	≈ 2.14	s [mm]	4
F [mm]	103		



Mating dimensions

$d_{a, \min}$ [mm]	97
$d_{a, \max}$ [mm]	101
$d_{b, \min}$ [mm]	105
$D_{a, \max}$ [mm]	133
$r_{a, \max}$ [mm]	1.5
$r_{b, \max}$ [mm]	1

Calculation data

C [kN]	152
C_0 [kN]	229
C_u [kN]	29.9
n_{th} [min^{-1}]	4551
n_g [min^{-1}]	6300