

NU311E.M3

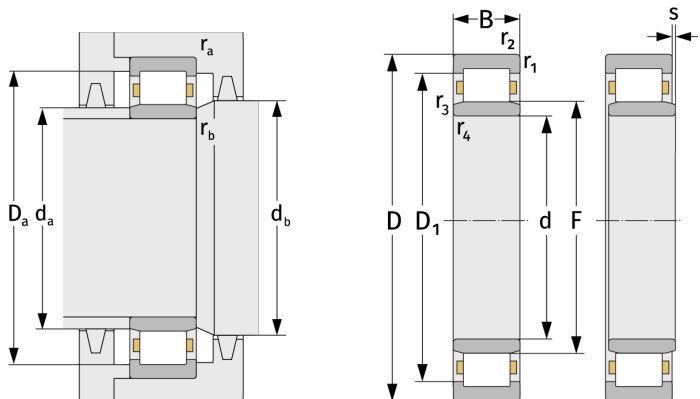
Cylindrical Roller Bearings (single row, with cage)



Details:

Main dimensions

| | | | |
|-------------|--------|-----------------------|--------|
| d [mm] | 55 | D ₁ [mm] | ≈ 99.3 |
| D [mm] | 120 | r _{1,2} [mm] | 2 |
| B [mm] | 29 | r _{3,4} [mm] | 2 |
| Weight [kg] | ≈ 1.64 | s [mm] | 3 |
| F [mm] | 70.5 | | |



Mating dimensions

| | |
|-------------------------|-----|
| d _{a,min} [mm] | 66 |
| d _{a,max} [mm] | 69 |
| d _{b,min} [mm] | 72 |
| D _{a,max} [mm] | 109 |
| r _{a,max} [mm] | 2 |
| r _{b,max} [mm] | 2 |

Calculation data

| | |
|--------------------------------------|------|
| C [kN] | 139 |
| C ₀ [kN] | 145 |
| C _u [kN] | 19 |
| n _{th} [min ⁻¹] | 5529 |
| n _g [min ⁻¹] | 8300 |