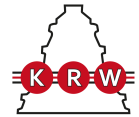


NU3172M3

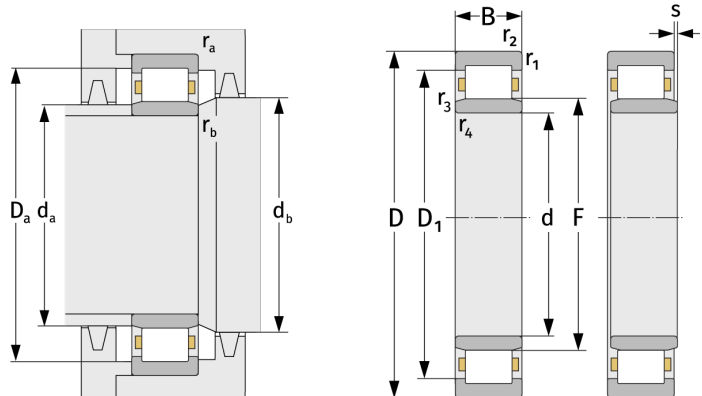
Cylindrical Roller Bearings (single row, with cage)



Details:

Main dimensions

d [mm]	360	D_1 [mm]	≈ 522.4
D [mm]	600	$r_{1,2}$ [mm]	5
B [mm]	192	$r_{3,4}$ [mm]	5
Weight [kg]	≈ 222	s [mm]	19
F [mm]	420		



Mating dimensions

$d_{a, \min}$ [mm]	380
$d_{a, \max}$ [mm]	416
$d_{b, \min}$ [mm]	424
$D_{a, \max}$ [mm]	580
$r_{a, \max}$ [mm]	4
$r_{b, \max}$ [mm]	4

Calculation data

C [kN]	3380
C_0 [kN]	6100
C_u [kN]	528
n_{th} [min^{-1}]	606
n_g [min^{-1}]	1400