

# NU3918E.M3

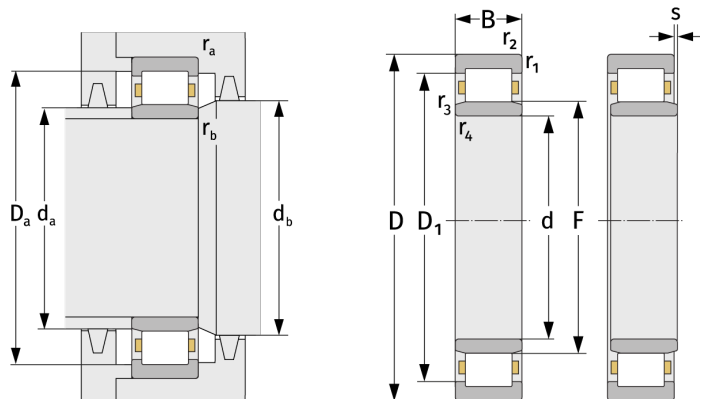
Cylindrical Roller Bearings (single row, with cage)



## Details:

### Main dimensions

d [mm]	90	$D_1$ [mm]	$\approx 113.4$
D [mm]	125	$r_{1,2}$ [mm]	1.1
B [mm]	26	$r_{3,4}$ [mm]	1
Weight [kg]	$\approx 0.999$	s [mm]	1.5
F [mm]	99		



### Mating dimensions

$d_{a, \min}$ [mm]	96
$d_{a, \max}$ [mm]	98
$d_{b, \min}$ [mm]	101
$D_{a, \max}$ [mm]	119
$r_{a, \max}$ [mm]	1
$r_{b, \max}$ [mm]	1

### Calculation data

C [kN]	114
$C_0$ [kN]	192
$C_u$ [kN]	25.5
$n_{th}$ [ $\text{min}^{-1}$ ]	3924
$n_g$ [ $\text{min}^{-1}$ ]	6800