

# NU3922E.M3

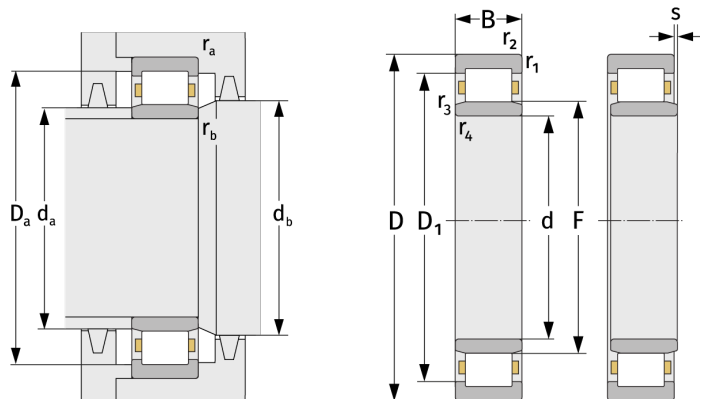
Cylindrical Roller Bearings (single row, with cage)



## Details:

### Main dimensions

d [mm]	110	$D_1$ [mm]	$\approx 136.5$
D [mm]	150	$r_{1,2}$ [mm]	1.1
B [mm]	30	$r_{3,4}$ [mm]	1
Weight [kg]	$\approx 1.59$	s [mm]	1.7
F [mm]	120.5		



### Mating dimensions

$d_{a, \min}$ [mm]	116
$d_{a, \max}$ [mm]	119
$d_{b, \min}$ [mm]	124
$D_{a, \max}$ [mm]	144
$r_{a, \max}$ [mm]	1
$r_{b, \max}$ [mm]	1

### Calculation data

C [kN]	147
$C_0$ [kN]	263
$C_u$ [kN]	33.1
$n_{th}$ [ $\text{min}^{-1}$ ]	3361
$n_g$ [ $\text{min}^{-1}$ ]	5600