

NU412M3

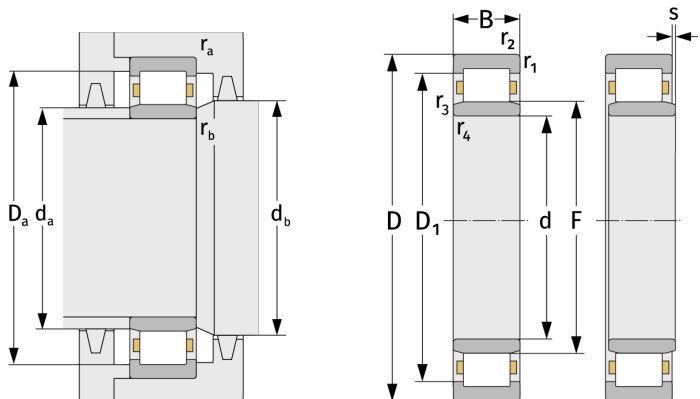
Cylindrical Roller Bearings (single row, with cage)



Details:

Main dimensions

d [mm]	60	D_1 [mm]	≈ 118.2
D [mm]	150	$r_{1,2}$ [mm]	2.1
B [mm]	35	$r_{3,4}$ [mm]	2.1
Weight [kg]	≈ 3.34	s [mm]	2
F [mm]	83		



Mating dimensions

$d_{a, \min}$ [mm]	74
$d_{a, \max}$ [mm]	82
$d_{b, \min}$ [mm]	85
$D_{a, \max}$ [mm]	136
$r_{a, \max}$ [mm]	2.1
$r_{b, \max}$ [mm]	2.1

Calculation data

C [kN]	182
C_0 [kN]	188
C_u [kN]	25.2
n_{th} [min^{-1}]	4782
n_g [min^{-1}]	7000