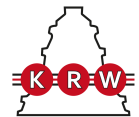


# NU424M3

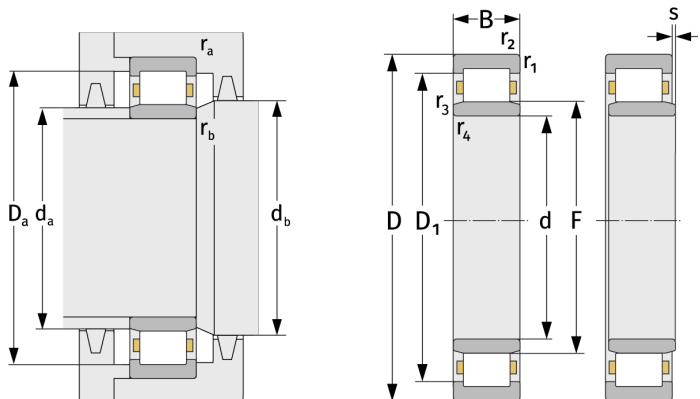
Cylindrical Roller Bearings (single row, with cage)



## Details:

### Main dimensions

d [mm]	120	$D_1$ [mm]	≈ 242
D [mm]	310	$r_{1,2}$ [mm]	5
B [mm]	72	$r_{3,4}$ [mm]	5
Weight [kg]	≈ 30	s [mm]	3.3
F [mm]	170		



### Mating dimensions

$d_{a, \min}$ [mm]	144
$d_{a, \max}$ [mm]	168
$d_{b, \min}$ [mm]	172
$D_{a, \max}$ [mm]	286
$r_{a, \max}$ [mm]	4
$r_{b, \max}$ [mm]	4

### Calculation data

C [kN]	730
$C_0$ [kN]	855
$C_u$ [kN]	93.5
$n_{th}$ [ $\text{min}^{-1}$ ]	2183
$n_g$ [ $\text{min}^{-1}$ ]	3300