

NU60/670M3

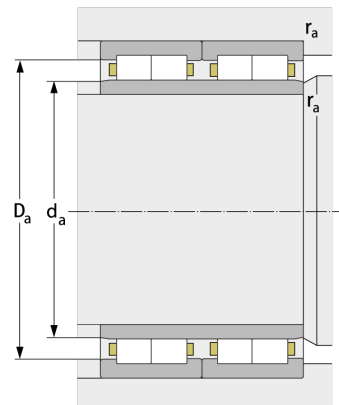
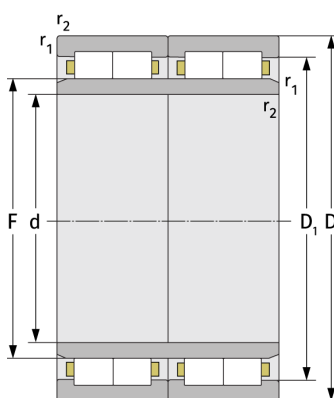
Cylindrical Roller Bearings (multi row, with cage)



Details:

Main dimensions

d [mm]	670	D_1 [mm]	≈ 873
D [mm]	980	$r_{1,2}$ [mm]	7.5
B [mm]	560	$r_{3,4}$ [mm]	7.5
Weight [kg]	≈ 1461	s [mm]	13
F [mm]	745		



Mating dimensions

$d_{a, \min}$ [mm]

742

Calculation data

C [kN]

13800

$D_{a, \max}$ [mm]

952

C_0 [kN]

37800

$r_{a, \max}$ [mm]

6

C_u [kN]

2817

$r_{b, \max}$ [mm]

6

n_g [min^{-1}]

550