

NU60/750M3

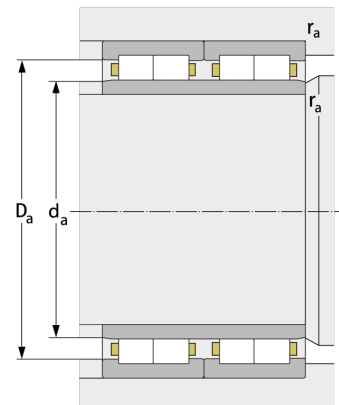
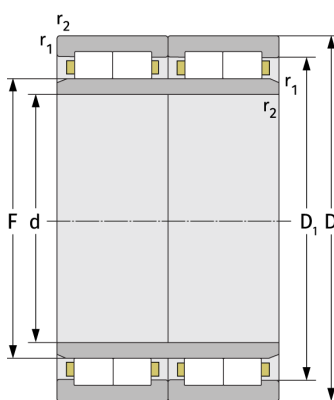
Cylindrical Roller Bearings (multi row, with cage)



Details:

Main dimensions

d [mm]	750	D_1 [mm]	≈ 971
D [mm]	1090	$r_{1,2}$ [mm]	7.5
B [mm]	615	$r_{3,4}$ [mm]	7.5
Weight [kg]	≈ 1965	s [mm]	15
F [mm]	835		



Mating dimensions

$d_{a, \min}$ [mm]	830
$D_{a, \max}$ [mm]	1062
$r_{a, \max}$ [mm]	6
$r_{b, \max}$ [mm]	6

Calculation data

C [kN]	16100
C_0 [kN]	45700
C_u [kN]	3301
n_g [min^{-1}]	480