

# NU6056M3

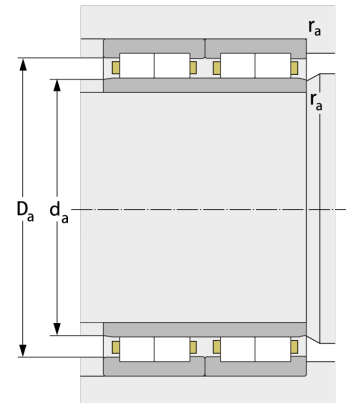
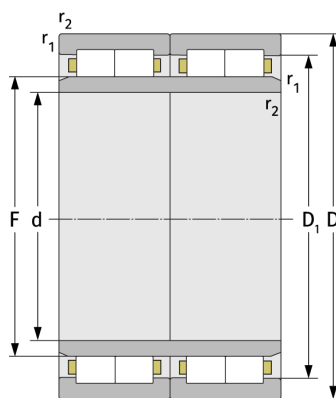
Cylindrical Roller Bearings (multi row, with cage)



## Details:

### Main dimensions

d [mm]	280	$D_1$ [mm]	$\approx 370.4$
D [mm]	420	$r_{1,2}$ [mm]	4
B [mm]	250	$r_{3,4}$ [mm]	4
Weight [kg]	$\approx 125$	s [mm]	6
F [mm]	316		



### Mating dimensions

$d_{a, \min}$  [mm]

313

### Calculation data

C [kN]

2810

$D_{a, \max}$  [mm]

405

$C_0$  [kN]

6750

$r_{a, \max}$  [mm]

3

$C_u$  [kN]

643

$r_{b, \max}$  [mm]

3

$n_g$  [ $\text{min}^{-1}$ ]

1600