

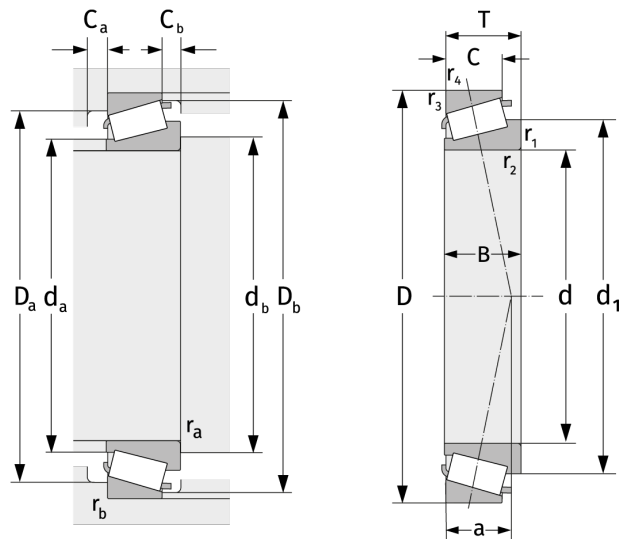
# 30356

Kegelrollenlager (einreihig, metrisch)



## Details:

Hauptabmessungen			
d [mm]	280	B [mm]	108
D [mm]	580	$d_1$ [mm]	$\approx 403,9$
T [mm]	119	$r_{1,2}$ [mm]	7,5
Gewicht [kg]	$\approx 130$	$r_{3,4}$ [mm]	6
C [mm]	90	a [mm]	$\approx 100,3$



Anschlussmaße		Berechnungsdaten	
$d_{a, \max}$ [mm]	344	C [kN]	2270
$d_{b, \min}$ [mm]	306	$C_0$ [kN]	3090
$D_{a, \min}$ [mm]	492	$C_u$ [kN]	253
$D_{a, \max}$ [mm]	548	$n_{th}$ [min <sup>-1</sup> ]	715
$D_{b, \min}$ [mm]	530	$n_g$ [min <sup>-1</sup> ]	1200
$C_{a, \min}$ [mm]	12	e	0,35
$C_{b, \min}$ [mm]	29	Y	1,74
$r_{a, \max}$ [mm]	7,5	$Y_0$	0,96
$r_{b, \max}$ [mm]	6		