

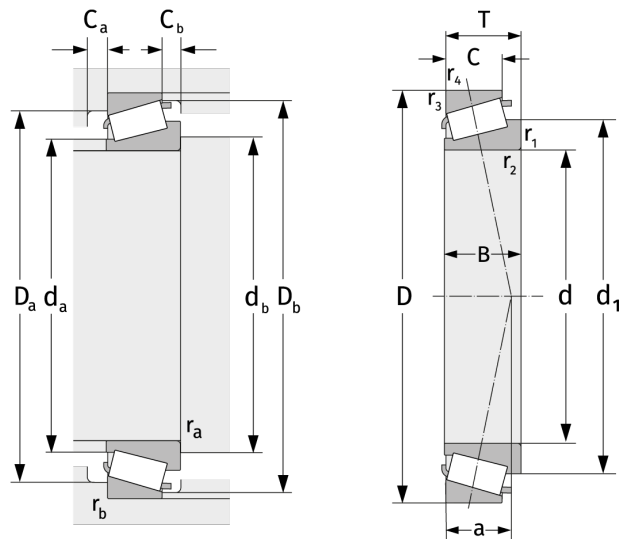
# 32356

Kegelrollenlager (einreihig, metrisch)



## Details:

Hauptabmessungen			
d [mm]	280	B [mm]	175
D [mm]	580	$d_1$ [mm]	$\approx 411,3$
T [mm]	187	$r_{1,2}$ [mm]	7,5
Gewicht [kg]	$\approx 223$	$r_{3,4}$ [mm]	6
		a [mm]	$\approx 129,8$
C [mm]	145		



Anschlussmaße		Berechnungsdaten	
$d_{a, \max}$ [mm]	335	C [kN]	3680
$d_{b, \min}$ [mm]	306	$C_0$ [kN]	5800
$D_{a, \min}$ [mm]	480	$C_u$ [kN]	477
$D_{a, \max}$ [mm]	552	$n_{th}$ [min <sup>-1</sup> ]	563
$D_{b, \min}$ [mm]	540	$n_g$ [min <sup>-1</sup> ]	1200
$C_{a, \min}$ [mm]	16	e	0,35
$C_{b, \min}$ [mm]	41	Y	1,74
$r_{a, \max}$ [mm]	7,5	$Y_0$	0,96
$r_{b, \max}$ [mm]	6		