

HM3052

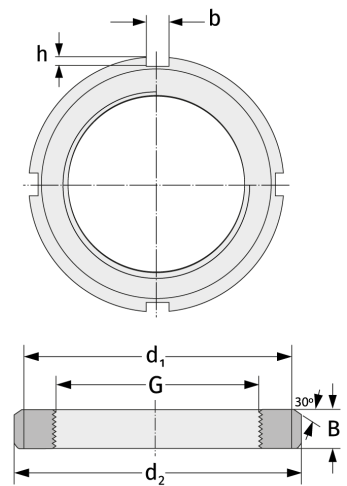
Nutmuttern



Details:

Hauptabmessungen

| | | | |
|---------------------|---------|--------|----|
| Gewicht [kg] | ≈ 5,67 | B [mm] | 34 |
| G [mm] | Tr260x4 | b [mm] | 20 |
| d ₁ [mm] | 290 | h [mm] | 10 |
| d ₂ [mm] | 310 | | |



| | | |
|---------------|------------------------|--------|
| Anschlussmaße | Enthaltene Komponenten | |
| | Sicherung | MS3048 |