

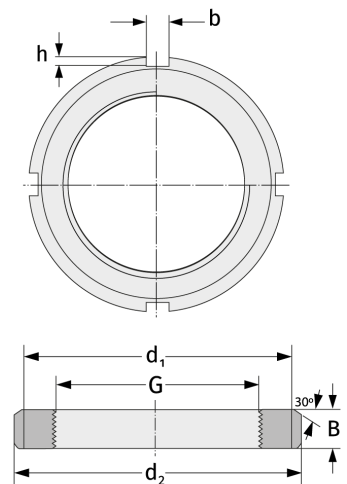
HM3096

Nutmuttern



Details:

| Hauptabmessungen | | | |
|---------------------|-------------|--------|----|
| Gewicht [kg] | ≈ 28,3 | B [mm] | 60 |
| | | b [mm] | 36 |
| G [mm] | Tr480x 5 | h [mm] | 15 |
| d ₁ [mm] | | 530 | |
| d ₂ [mm] | 560 | | |



| Anschlussmaße | Enthaltene Komponenten | |
|---------------|------------------------|--------|
| | Sicherung | MS3096 |