

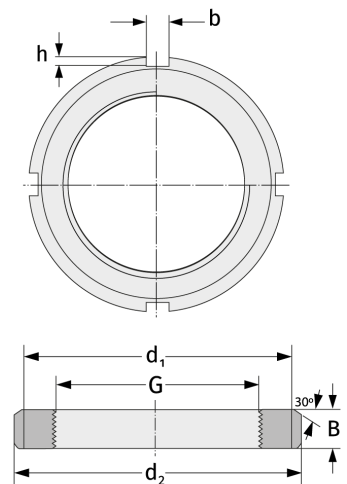
# HM31/670

Nutmuttern



## Details:

| Hauptabmessungen    |         |        |     |
|---------------------|---------|--------|-----|
| Gewicht [kg]        | ≈ 162   | B [mm] | 106 |
| G [mm]              | Tr670x6 | b [mm] | 50  |
| d <sub>1</sub> [mm] | 775     | h [mm] | 28  |
| d <sub>2</sub> [mm] | 850     |        |     |



| Anschlussmaße | Enthaltene Komponenten |          |
|---------------|------------------------|----------|
|               | Sicherung              | MS31/670 |