

# NCF2920V

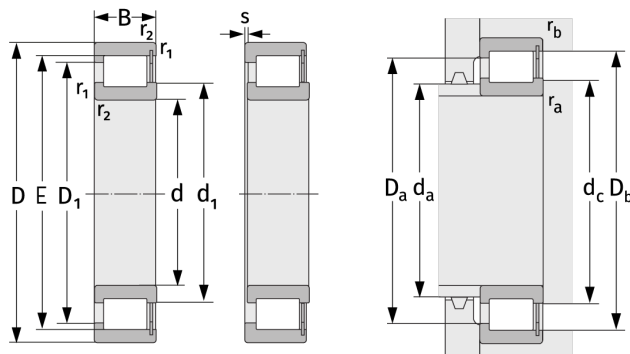
Zylinderrollenlager (einreihig, vollrollig)



## Details:

### Hauptabmessungen

d [mm]	100	d <sub>1</sub> [mm]	≈ 112,8
D [mm]	140	D <sub>1</sub> [mm]	≈ 126
B [mm]	24	r <sub>1,2</sub> [mm]	1,1
Gewicht [kg]	≈ 1,11	r <sub>3,4</sub> [mm]	1
E [mm]	130,4	s [mm]	1,5



Anschlussmaße		Berechnungsdaten	
d <sub>a, min</sub> [mm]	106	C [kN]	133
d <sub>c, min</sub> [mm]	112	C <sub>0</sub> [kN]	210
D <sub>a, max</sub> [mm]	134	C <sub>u</sub> [kN]	27,2
D <sub>b, max</sub> [mm]	134	n <sub>th</sub> [min <sup>-1</sup> ]	1837
r <sub>a, max</sub> [mm]	1	n <sub>g</sub> [min <sup>-1</sup> ]	2800
r <sub>b, max</sub> [mm]	1		