

NJ2336E.M3

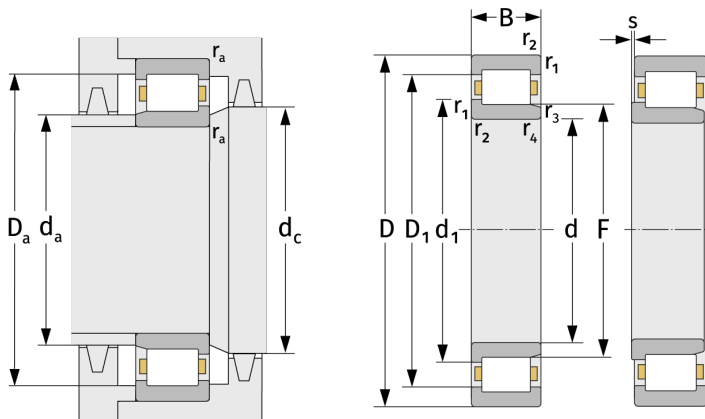
Zylinderrollenlager (einreihig, mit Käfig)



Details:

Hauptabmessungen

| | | | |
|--------------|--------|-----------------------|---------|
| d [mm] | 180 | d ₁ [mm] | ≈ 251,8 |
| D [mm] | 380 | D ₁ [mm] | ≈ 314,2 |
| B [mm] | 126 | r _{1,2} [mm] | 4 |
| Gewicht [kg] | ≈ 73,8 | r _{3,4} [mm] | 4 |
| | | s [mm] | 6,1 |
| F [mm] | 231 | | |



| Anschlussmaße | | Berechnungsdaten | |
|--------------------------|-----|--------------------------------------|------|
| d _{a, min} [mm] | 197 | C [kN] | 1600 |
| d _{a, max} [mm] | 228 | C ₀ [kN] | 2280 |
| d _{b, min} [mm] | 234 | C _u [kN] | 230 |
| d _{c, min} [mm] | 255 | n _{th} [min ⁻¹] | 1148 |
| D _{a, max} [mm] | 363 | n _g [min ⁻¹] | 2500 |
| r _{a, max} [mm] | 3 | | |