

# NJ426M3

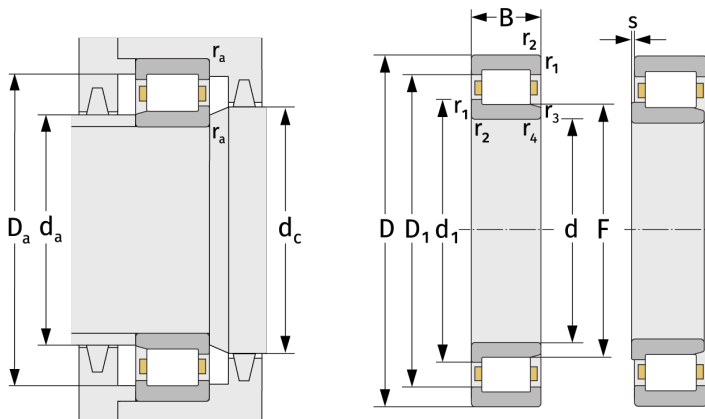
Zylinderrollenlager (einreihig, mit Käfig)



## Details:

### Hauptabmessungen

d [mm]	130	d <sub>1</sub> [mm]	≈ 205
D [mm]	340	D <sub>1</sub> [mm]	≈ 265
B [mm]	78	r <sub>1,2</sub> [mm]	5
Gewicht [kg]	≈ 40	r <sub>3,4</sub> [mm]	5
		s [mm]	4
F [mm]	185		



Anschlussmaße		Berechnungsdaten	
d <sub>a, min</sub> [mm]	154	C [kN]	840
d <sub>a, max</sub> [mm]	183	C <sub>0</sub> [kN]	980
d <sub>b, min</sub> [mm]	187	C <sub>u</sub> [kN]	104
d <sub>c, min</sub> [mm]	208	n <sub>th</sub> [min <sup>-1</sup> ]	1969
D <sub>a, max</sub> [mm]	316	n <sub>g</sub> [min <sup>-1</sup> ]	3000
r <sub>a, max</sub> [mm]	4		