

# NNU40/560S.M

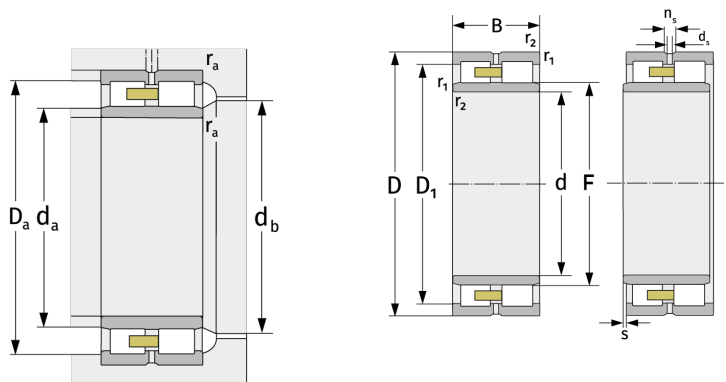
Zylinderrollenlager (zweireihig, mit Käfig)



## Details:

### Hauptabmessungen

d [mm]	560	$D_1$ [mm]	$\approx 732,4$
D [mm]	820	$d_s$ [mm]	9,5
B [mm]	258	$n_s$ [mm]	17,7
Gewicht [kg]	$\approx 470$	$r_{1,2}$ [mm]	6
F [mm]	630	s [mm]	12,8



Anschlussmaße		Berechnungsdaten	
$d_{a, \min}$ [mm]	583	C [kN]	5600
$d_{a, \max}$ [mm]	626	$C_0$ [kN]	13100
$d_{b, \min}$ [mm]	634	$C_u$ [kN]	1030
$D_{a, \max}$ [mm]	797	$n_{G, \text{Fett}}$ [ $\text{min}^{-1}$ ]	780
$r_{a, \max}$ [mm]	5	$n_{G, \text{Öl-Luft}}$ [ $\text{min}^{-1}$ ]	920