

# NNU49/750S.M

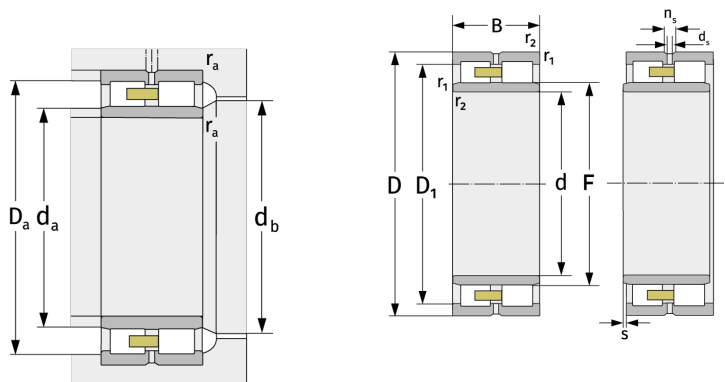
Zylinderrollenlager (zweireihig, mit Käfig)



## Details:

### Hauptabmessungen

d [mm]	750	$D_1$ [mm]	$\approx 914,6$
D [mm]	1000	$d_s$ [mm]	12,5
B [mm]	250	$n_s$ [mm]	23,5
Gewicht [kg]	$\approx 566$	$r_{1,2}$ [mm]	6
		s [mm]	9
F [mm]	825		



Anschlussmaße		Berechnungsdaten	
$d_{a, \min}$ [mm]	773	C [kN]	5950
$d_{a, \max}$ [mm]	820	$C_0$ [kN]	17000
$d_{b, \min}$ [mm]	830	$C_u$ [kN]	1250
$D_{a, \max}$ [mm]	977	$n_{G, \text{Fett}}$ [ $\text{min}^{-1}$ ]	570
$r_{a, \max}$ [mm]	5	$n_{G, \text{Öl-Luft}}$ [ $\text{min}^{-1}$ ]	670