

NNU4952S.M

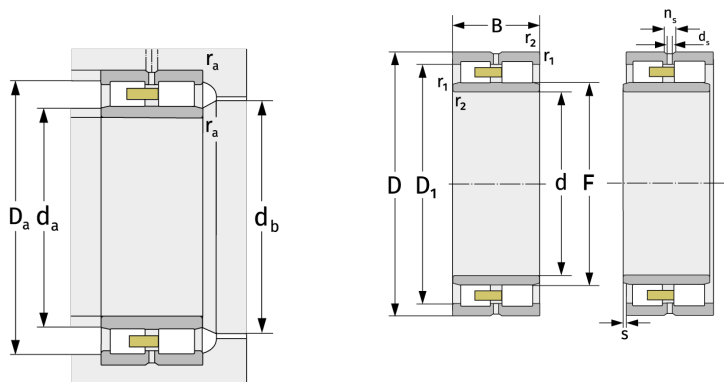
Zylinderrollenlager (zweireihig, mit Käfig)



Details:

Hauptabmessungen

| | | | |
|--------------|----------------|----------------|-----------------|
| d [mm] | 260 | D_1 [mm] | $\approx 325,6$ |
| D [mm] | 360 | d_s [mm] | 8 |
| B [mm] | 100 | n_s [mm] | 15 |
| Gewicht [kg] | $\approx 31,4$ | $r_{1,2}$ [mm] | 2,1 |
| F [mm] | 292 | s [mm] | 5,4 |



| Anschlussmaße | | Berechnungsdaten | |
|--------------------|-----|---|------|
| $d_{a, \min}$ [mm] | 270 | C [kN] | 760 |
| $d_{a, \max}$ [mm] | 288 | C_0 [kN] | 1720 |
| $d_{b, \min}$ [mm] | 295 | C_u [kN] | 170 |
| $D_{a, \max}$ [mm] | 350 | $n_{G, \text{Fett}}$ [min^{-1}] | 2000 |
| $r_{a, \max}$ [mm] | 2,1 | $n_{G, \text{Öl-Luft}}$ [min^{-1}] | 2400 |