

NNU6092M

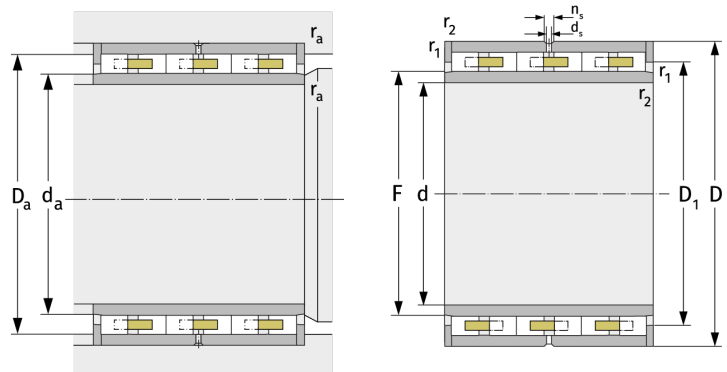
Zylinderrollenlager (mehrrichtig, mit Käfig)



Details:

Hauptabmessungen

| | | | |
|-----------------|-------|----------------|----|
| d [mm] | 460 | d_s [mm] | 8 |
| D [mm] | 680 | n_s [mm] | 15 |
| B [mm] | 400 | $r_{1,2}$ [mm] | 6 |
| Gewicht [kg] | ≈ 526 | $r_{3,4}$ [mm] | 6 |
| | | s [mm] | 10 |
| F [mm] | 530 | | |
| D_1 [mm] | ≈ 602 | | |



| Anschlussmaße | | Berechnungsdaten | |
|--------------------|-----|-----------------------------|-------|
| $d_{a, \min}$ [mm] | 511 | C [kN] | 5550 |
| $D_{a, \max}$ [mm] | 657 | C_0 [kN] | 15700 |
| $r_{a, \max}$ [mm] | 5 | C_u [kN] | 1297 |
| $r_{b, \max}$ [mm] | 5 | n_g [min^{-1}] | 870 |