

NNU6912V

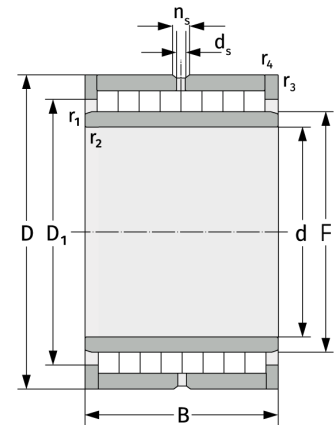
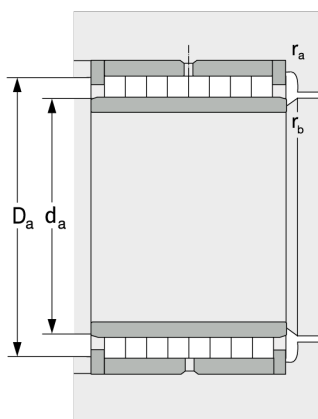
Zylinderrollenlager (mehrrichtig, vollrollig)



Details:

Hauptabmessungen

d [mm]	60	d_s [mm]	3,2
D [mm]	85	n_s [mm]	4,8
B [mm]	45	$r_{1,2}$ [mm]	1
Gewicht [kg]	≈ 0,893	$r_{3,4}$ [mm]	1
D_1 [mm]	≈ 75		



Anschlussmaße		Berechnungsdaten	
$d_{a, \min}$ [mm]	65	C [kN]	132
$D_{a, \max}$ [mm]	80	C_0 [kN]	310
$r_{a, \max}$ [mm]	1	C_u [kN]	40,7
$r_{b, \max}$ [mm]	1		