

# NU2260E.M3

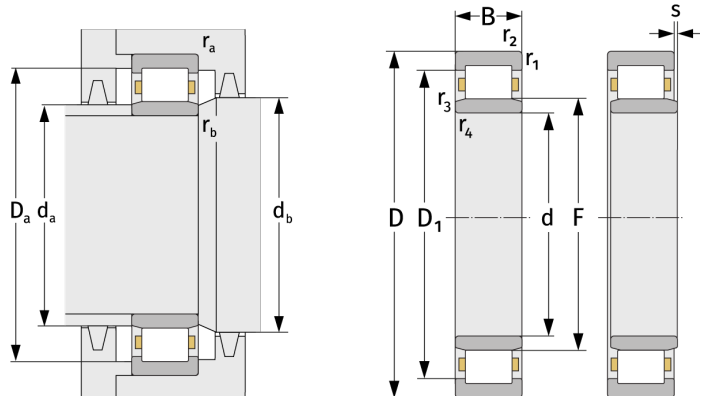
Zylinderrollenlager (einreihig, mit Käfig)



## Details:

### Hauptabmessungen

d [mm]	300	$D_1$ [mm]	$\approx 461,4$
D [mm]	540	$r_{1,2}$ [mm]	5
B [mm]	140	$r_{3,4}$ [mm]	5
Gewicht [kg]	$\approx 145$	s [mm]	7,9
F [mm]	359		



Anschlussmaße		Berechnungsdaten	
$d_{a, \min}$ [mm]	320	C [kN]	2590
$d_{a, \max}$ [mm]	356	$C_0$ [kN]	4150
$d_{b, \min}$ [mm]	362	$C_u$ [kN]	374
$D_{a, \max}$ [mm]	520	$n_{th}$ [ $\text{min}^{-1}$ ]	656
$r_{a, \max}$ [mm]	4	$n_g$ [ $\text{min}^{-1}$ ]	1600
$r_{b, \max}$ [mm]	4		