

NU2940E.M3

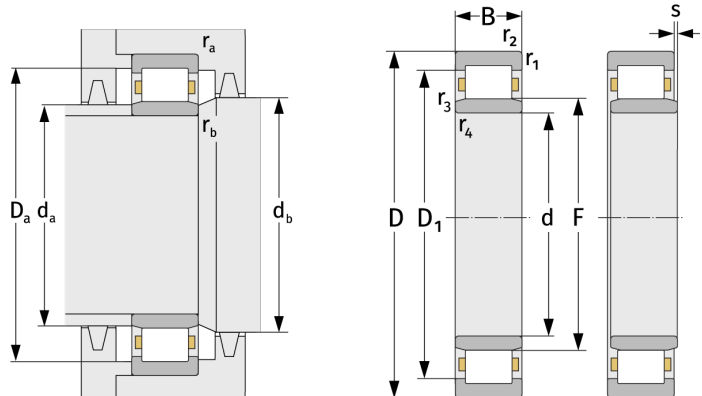
Zylinderrollenlager (einreihig, mit Käfig)



Details:

Hauptabmessungen

| | | | |
|--------------|----------------|----------------|-----------------|
| d [mm] | 200 | D_1 [mm] | $\approx 253,6$ |
| D [mm] | 280 | $r_{1,2}$ [mm] | 2,1 |
| B [mm] | 48 | $r_{3,4}$ [mm] | 1,5 |
| Gewicht [kg] | $\approx 9,31$ | s [mm] | 3 |
| F [mm] | 220 | | |



| Anschlussmaße | | Berechnungsdaten | |
|--------------------|-------|--------------------------------|------|
| $d_{a, \min}$ [mm] | 210,2 | C [kN] | 447 |
| $d_{a, \max}$ [mm] | 217 | C_0 [kN] | 795 |
| $d_{b, \min}$ [mm] | 223 | C_u [kN] | 84,2 |
| $D_{a, \max}$ [mm] | 269,8 | n_{th} [min^{-1}] | 1914 |
| $r_{a, \max}$ [mm] | 2,1 | n_g [min^{-1}] | 2900 |
| $r_{b, \max}$ [mm] | 1,5 | | |