

NU6080M3

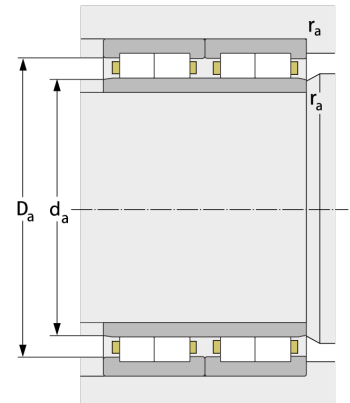
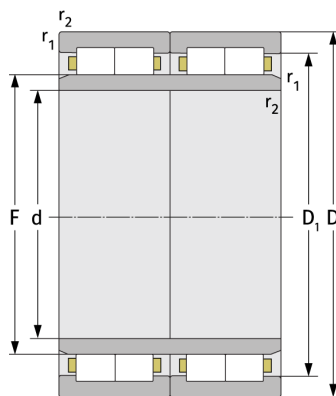
Zylinderrollenlager (mehrrichtig, mit Käfig)



Details:

Hauptabmessungen

| | | | |
|--------------|-------|----------------|-------|
| d [mm] | 400 | D_1 [mm] | ≈ 530 |
| D [mm] | 600 | $r_{1,2}$ [mm] | 5 |
| B [mm] | 355 | $r_{3,4}$ [mm] | 5 |
| Gewicht [kg] | ≈ 360 | s [mm] | 10 |
| F [mm] | 450 | | |



| Anschlussmaße | | Berechnungsdaten | |
|--------------------|-----|-----------------------------|-------|
| $d_{a, \min}$ [mm] | 446 | C [kN] | 5550 |
| $D_{a, \max}$ [mm] | 582 | C_0 [kN] | 13800 |
| $r_{a, \max}$ [mm] | 4 | C_u [kN] | 1187 |
| $r_{b, \max}$ [mm] | 4 | n_g [min^{-1}] | 1100 |