

# QJ1240MPA

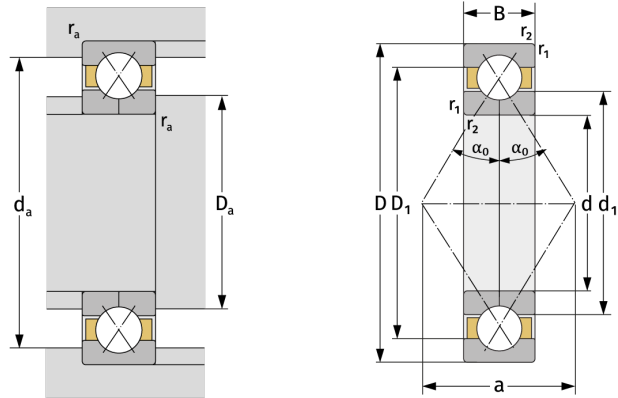
Vierpunktlager (metrisch)



## Details:

### Hauptabmessungen

d [mm]	200	$D_1$ [mm]	$\approx 300,8$
D [mm]	360	$r_{1,2}$ [mm]	4
B [mm]	70	$\alpha_0$ [°]	45
Gewicht [kg]	$\approx 35,1$	a [mm]	$\approx 280$
$d_1$ [mm]	$\approx 259,2$		



Anschlussmaße		Berechnungsdaten	
$d_{a, \min}$ [mm]	217	C [kN]	530
$D_{a, \max}$ [mm]	343	$C_0$ [kN]	860
$r_{a, \max}$ [mm]	3	$C_u$ [kN]	25,3
		$n_{th}$ [min <sup>-1</sup> ]	1773
		$n_g$ [min <sup>-1</sup> ]	3000